

**GPS Tracker with Speed limiter (NR021)**  
**(version for Africa)**



# 1. Specification



<b>Size</b>	128*68*29mm
<b>Working Voltage</b>	DC:6~60V
<b>Input Fuse</b>	2A
<b>Working Temperature</b>	-40~85°C
<b>Humidity</b>	10% to 90%
<b>Input I/O</b>	<ul style="list-style-type: none"> <li>6 I/O input/output Port</li> <li>1 detect speed from odometer</li> <li>1 port use to check the engine ( ACC check)</li> <li>1 port use to SOS</li> <li>1 analog Input port( Fuel sensor)</li> <li>1 Output port ( Car engine control )</li> <li>1 Output port ( speed limiter )</li> </ul>

<b>USB</b>	2 USB interface 1 <sup>st</sup> --USB printer 2 <sup>nd</sup> ---PC interface
<b>Microphone</b>	3.5mm single track
<b>Current</b>	Not working Current 16mA working Current:60~150mA Current of opening infrared of Camera at night :100~200mA Charging current: Max<500mA
<b>Battery</b>	Lithium battery :400mA( working time is about 3.5 hours)
<b>Accessories</b>	Main unit, 10PIN Connecting cable ,GPS antenna ,GSM antenna, 2 relays, SOS button, Microphone, printer Optional: USB cable Bluetooth printer



main unit



cables

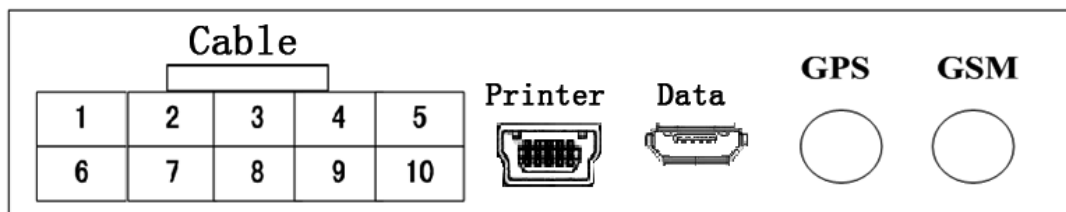


Bluetooth printer



Machanical controller

## 2. Interface:



### 1. Data1 Description

No.	Description	No.	Description
1	DC(12V)	6	GND
2	Fuel Monitoring	7	SOS
3	GND	8	Speed limiter out ( 0V to 12V)
4	ACC	9	Odometer wire

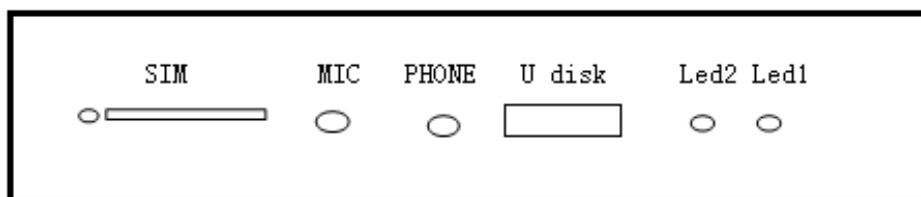
5	Power/oil control	10	Speed limiter out (12V to 0V)
---	-------------------	----	-------------------------------

### USB Interface

1. Printer → connect to printer, print date & time and speed
2. Data → connect to PC, configure the parameters  
Read parameters and memory data



The port in other side:



SIM: card port

MIC: to listen

Phone: Printer control button

U disk: download records to U disk

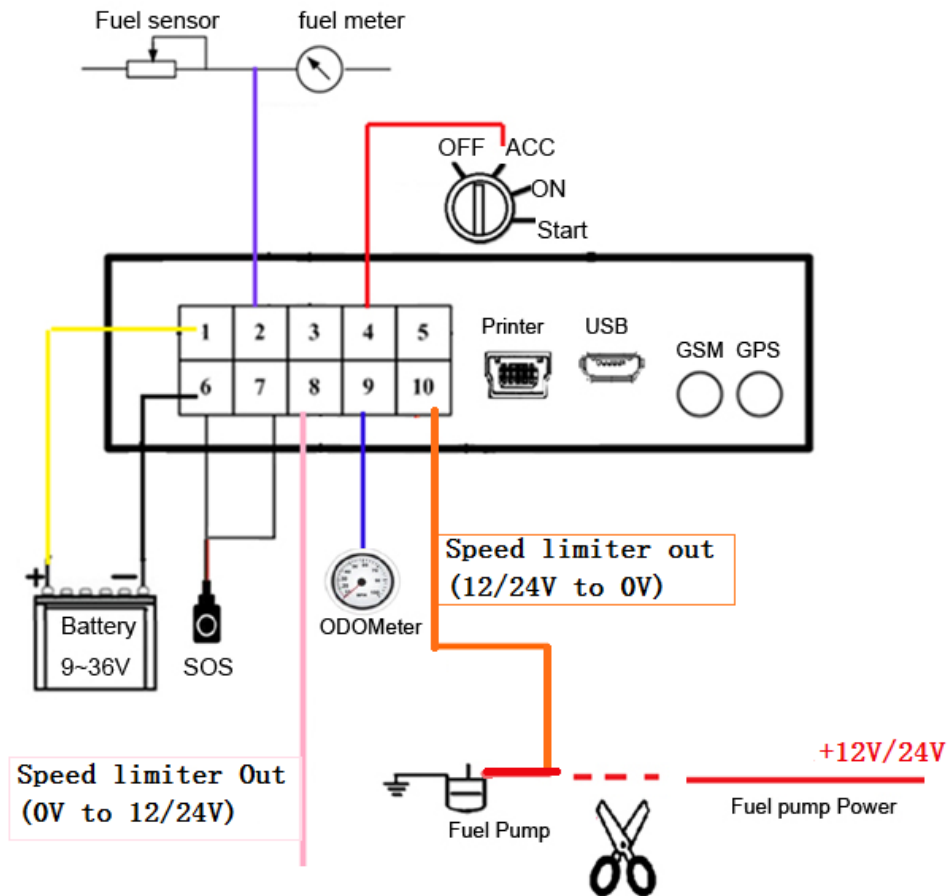
LED1: power indicator light (RED)

LED2: status indicator light (Green)

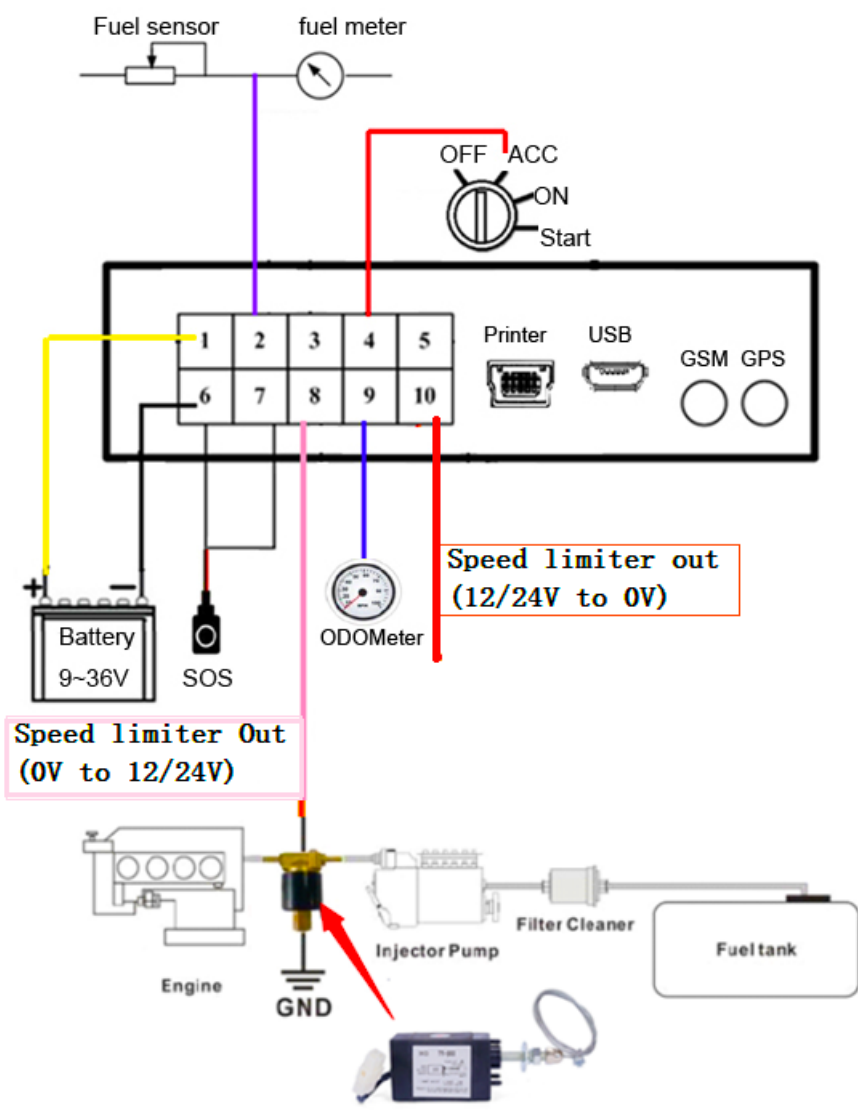
1. Quick flash is initialization. It shows GPS and GSM Abnormal.
2. 1 second on, 1 second off shows GPS abnormal.
3. 0.1 second on, 3 seconds off shows GPS normal.
4. Keeping on shows the system normal.

### 3. Installation Diagram

For Electronic speed limiter:



For Mechanical speed limiter:



## Configure tools:

The screenshot shows the 'Config tools' application window. It features a top bar with 'USB No.: 1', 'Connect', 'Disconnect', and 'Exit' buttons. The main area is split into two columns. The left column, 'Device parameters', includes fields for 'Dev ID' (NR09G20840), 'Interval' (30), 'OverSpeed' (80), 'IP' (220.231.191.18), 'Port' (6903), 'APN' (cmnet), 'Pulse' (4), and 'SOS Number'. The right column, 'Vehicle Information', contains fields for 'Vehicle Reg. Number' (KCV 448R), 'Vehicle Owners Name' (Samil), 'Vehicle Owner Id' (12345678), 'Owner Phone No.' (070XXXXX), 'Chasis No.' (VWGX), 'Vehicle Make Type' (Toyota), 'Certificate Number' (12345678), 'Limiter Type' (Noran), 'Limiter serial' (NR09G20840), 'Date Of Fitting' (20191108), 'Fitting Agents Name' (1234567890), 'Fitting Agent Id' (1234567890), 'Name/Location Of Station' (NAIROBI), 'Email Address' (@XXXX.com), 'Agent Phone Number' (07573XXXXXX), 'Business Reg. No.' (PVT), and 'Calibrated Speed' (637). A 'Running Log' section at the bottom left has a 'ClearLog' button. A 'Set Vehicle information' button is located at the bottom right of the vehicle information section.

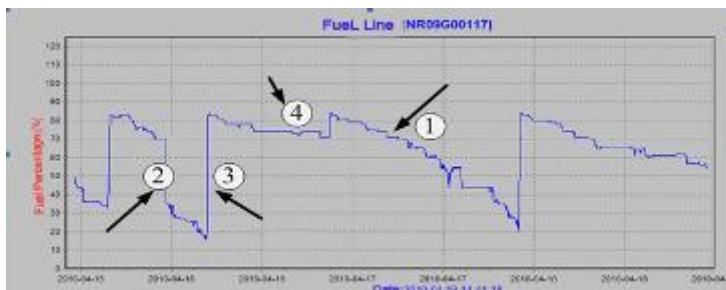
- Set GPRS parameters
- Clear parameters
- Modify device ID
- Configure over speed and alarm telephone
- Download history from memory (1~72Hours)

## 4. Main features:

1. speed governor with GPS, real time tracking on web/PC fleet management, mobile APP
2. GPS-GSM-GPRS recording data logging and transmitting data every 5 seconds ,support printer to print the record.
3. Limit speed with 80 KPH while it connect odometer, otherwise limit speed 30 KPH.



4. Speed capture from vehicle odometer and GPS
5. Fleet management - vehicle tracking capability. enabled and or disabled
6. Fuel management-over digital maps. Support interface external ultrasonic sensor/float fuel sensor, compatible original fuel sensor in the tank too
7. External USB for external printer data download
8. Support RS 232/ bluetooth printer
9. SOS alarm and Geo-fence alarm by SMS and GPRS
10. ACC detection, Engine cut off, anti-theft
11. Audio Monitoring
12. Built-in Backup battery, uninstall alarm
13. Geo-fence, speed limit in special region
14. U disk for download the records in memory
15. Fuel level monitoring



Shows as above:

- 1 It shows normal fuel consumption. The fuel decreases slowly.
- 2 It shows abnormal fuel consumption, and it decreases straightly. It may be fuel leak or fuel stolen.
- 3 It shows the fuel increases straightly. It should be in fuel up.
- 4 It shows the fuel without change. It should be in parking.

## 5. Service:

1. We have 4 tracking solutions: (Software , PC web tracking , mobile app , SMS),
2. provide open source SDK and API, SDK is source code for communicate with tracker directly , API is web service interface
3. warranty : 24 months
4. OEM and ODM

