

GPS Tracker with Speed limiter (version for Africa)



Default:



GPS antenna



GSM antenna



cable



Mic



SOS button



Relay

Optional:



Printer



Mechanical speed limiter

1. Specification

Size	137*75*29mm
Working Voltage	DC:6.8~60V
Input Fuse	2A
Working Temperature	-40~85°C
Humidity	10% to 90%
Input I/O	6 I/O input/output Port

	<p>1 detect speed from odometer</p> <p>1 port use to check the engine (ACC check)</p> <p>1 port use to SOS</p> <p>1 analog Input port(Fuel sensor)</p> <p>1 Output port (Car engine control)</p> <p>1 Output port (speed limiter)</p>
USB	<p>2 USB interface</p> <p>1st--USB printer</p> <p>2nd---PC interface</p>
Microphone	<p>3.5mm single track</p>
Current	<p>Not working Current 16mA</p> <p>working Current:60~150mA</p> <p>Current of opening infrared of Camera at night :100~200mA</p> <p>Charging current: Max<500mA</p>
Battery	<p>Lithium battery :400mA(working time is about 3.5 hours)</p>
Accessories	<p>Main unit, 10PIN Connecting cable ,GPS antenna ,GSM antenna, 2 relays, SOS button, Microphone, printer</p> <p>Optional: USB cable</p> <p>printer</p>

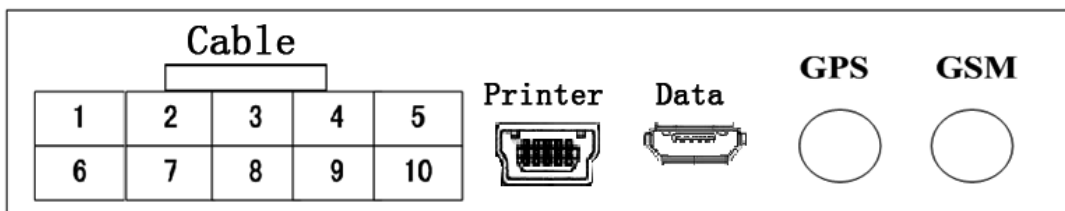


Printer



Machanical Speed limiter

2. Interface:



1、Data1 Description

No.	Description	No.	Description
1	DC(12V)	6	GND
2	Fuel Monitoring	7	SOS
3	GND	8	Speed limiter in
4	ACC	9	Odometer wire
5	Power/oil control	10	Speed limiter out

USB Interface

1. Printer → connect to printer, print date & time and speed
2. Data → connect to PC, configure the parameters
Read parameters and memory data

The port in other side:



SIM: card port

Phone: Printer control button

MIC: to listen

LED1: power indicator light (RED)

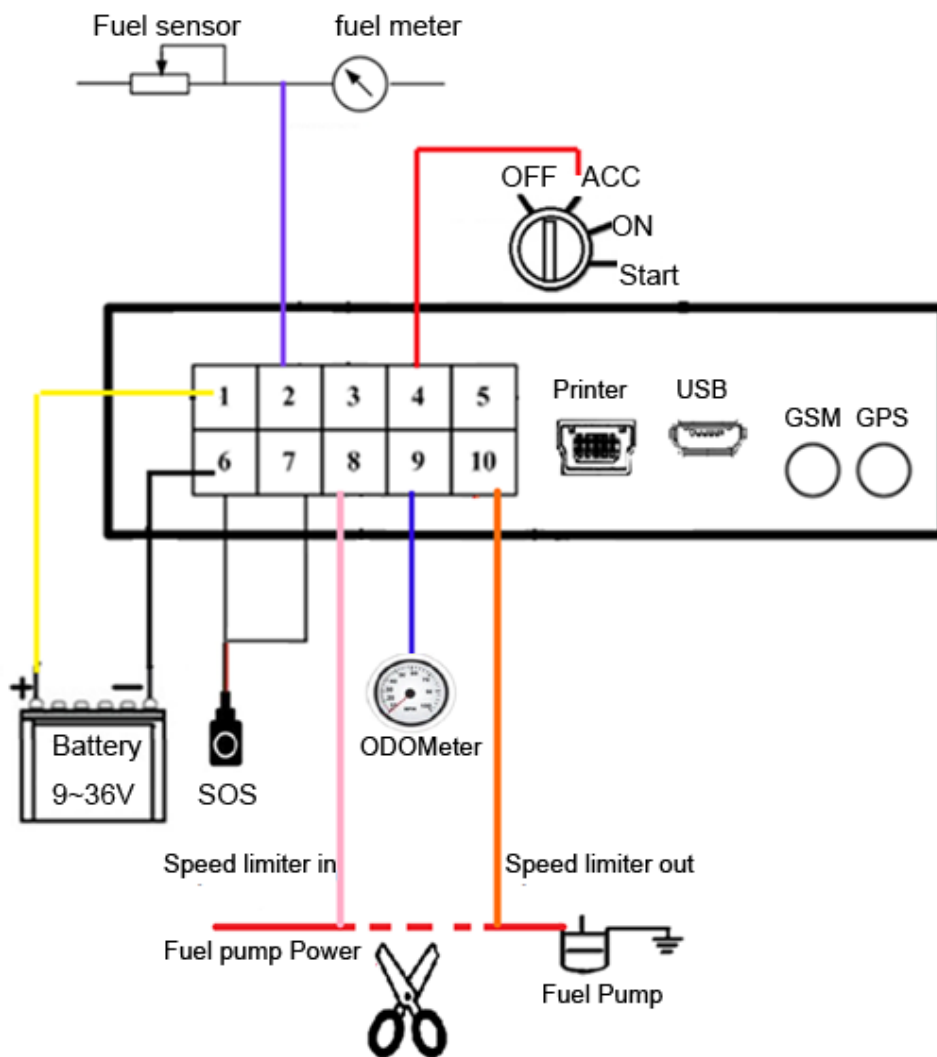
LED2: status indicator light (Green)

RESET: Reset Button

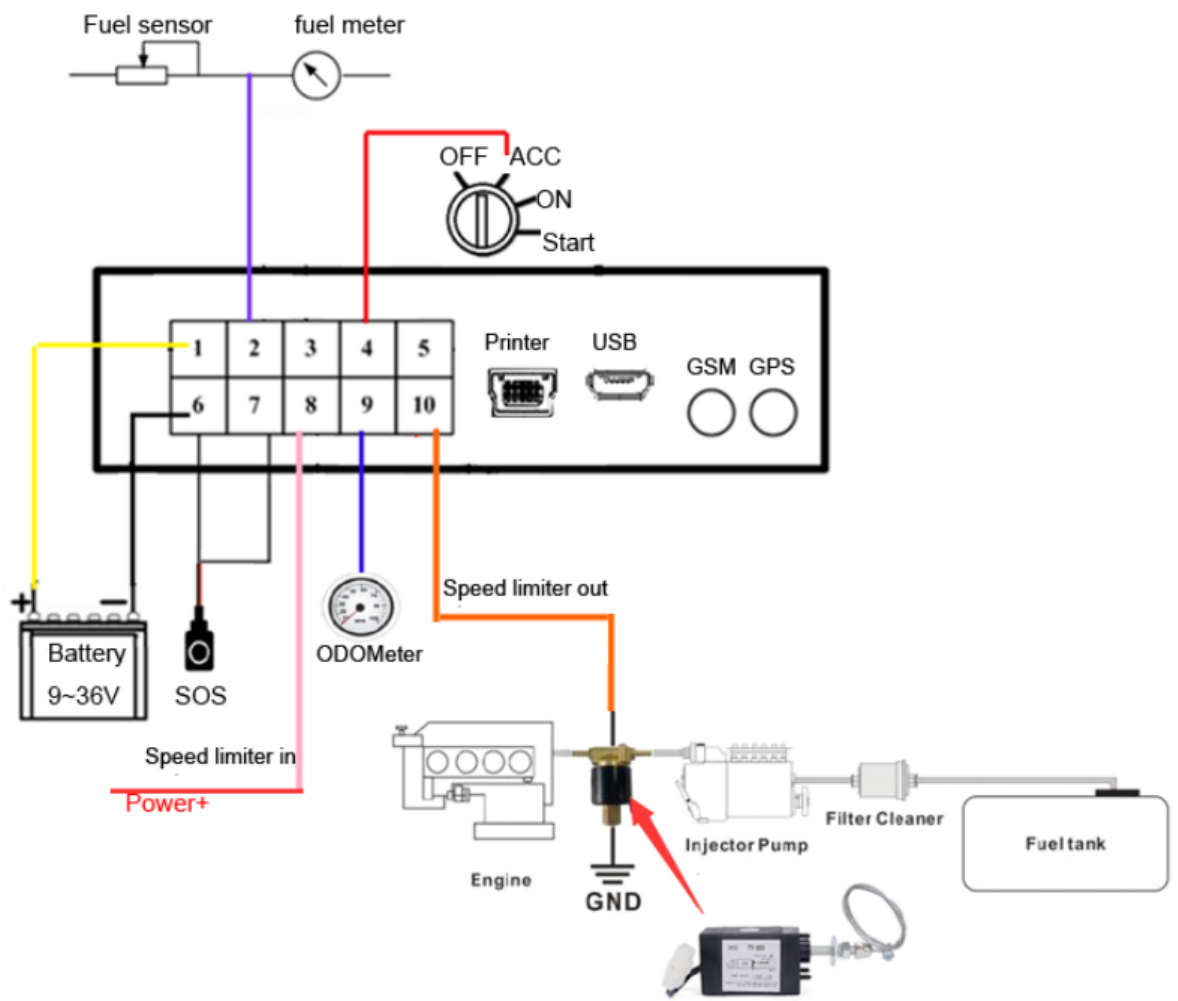
1. Quick flash is initialization. It shows GPS and GSM Abnormal.
2. 1 second on, 1 second off shows GPS abnormal.
3. 0.1 second on, 3 seconds off shows GPS normal.
4. Keeping on shows the system normal.

3. Installation Diagram

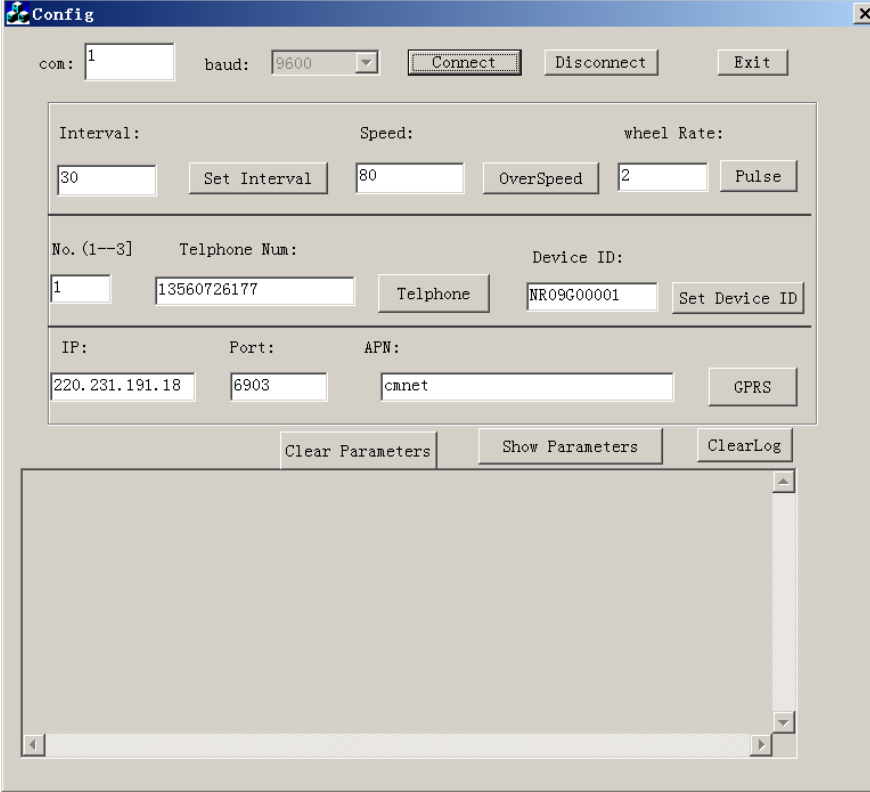
For Electronic speed limiter:



For Mechanical speed limiter:



Configure tools:



The screenshot shows a Windows-style application window titled "Config". At the top, there are fields for "com:" (value: 1) and "baud:" (value: 9600), along with "Connect", "Disconnect", and "Exit" buttons. Below this is a section with three columns: "Interval:" (value: 30, "Set Interval" button), "Speed:" (value: 80, "OverSpeed" button), and "wheel Rate:" (value: 2, "Pulse" button). The next section has "No. (1--3]" (value: 1), "Telephone Num:" (value: 13560726177, "Telephone" button), and "Device ID:" (value: NR09G00001, "Set Device ID" button). The final section has "IP:" (value: 220.231.191.18), "Port:" (value: 6903), "APN:" (value: cmnet, "GPRS" button). At the bottom of the form area are "Clear Parameters", "Show Parameters", and "ClearLog" buttons. A large empty text area with scrollbars occupies the bottom half of the window.

- Set GPRS parameters
- Clear parameters
- Modify device ID
- Configure over speed and alarm telephone
- Download history from memory (1~72Hours)

4. Main features:

1. speed governor with GPS, real time tracking on web/PC fleet management, mobile APP
2. GPS-GSM-GPRS recording data logging and transmitting data every 5 seconds ,support printer to print the record.
3. Limit speed with 80 KPH while it connect odometer, otherwise limit speed 40 KPH.
4. Speed capture from vehicle odometer and GPS
5. Fleet management - vehicle tracking capability. enabled and or disabled
6. Fuel management-over digital maps. Support interface external ultrasonic sensor/float fuel sensor, compatible original fuel sensor in the tank too
7. External USB for external printer data download
8. RS 232 for printer

9. SOS alarm and Geo-fence alarm by SMS and GPRS
10. ACC detection, Engine cut off, anti-theft
11. Audio Monitoring
12. Built-in Backup battery, uninstall alarm



Shows as above:

- 1 It shows normal fuel consumption. The fuel decreases slowly.
- 2 It shows abnormal fuel consumption, and it decreases straightly. It may be fuel leak or fuel stolen.
- 3 It shows the fuel increases straightly. It should be in fuel up.
- 4 It shows the fuel without change. It should be in parking.

5. Service:

1. We have 4 tracking solutions: (Software , PC web tracking , mobile app , SMS),
2. provide open source SDK and API, SDK is source code for communicate with tracker directly , API is web service interface
3. warranty : 24 months